

21001 Avbolt

Steel - 3 piece system

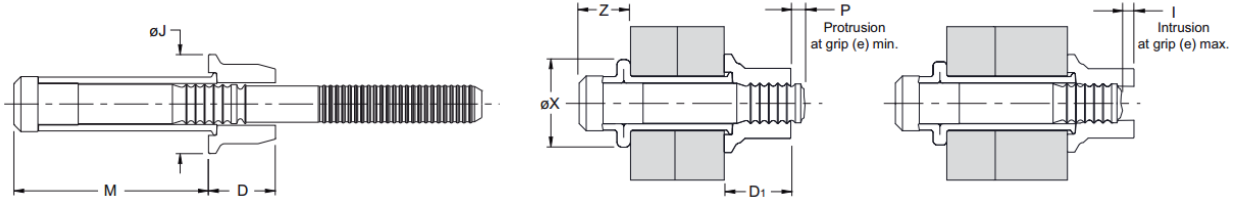
10.0 mm (3/8") - 16.0 mm (5/8")

Features

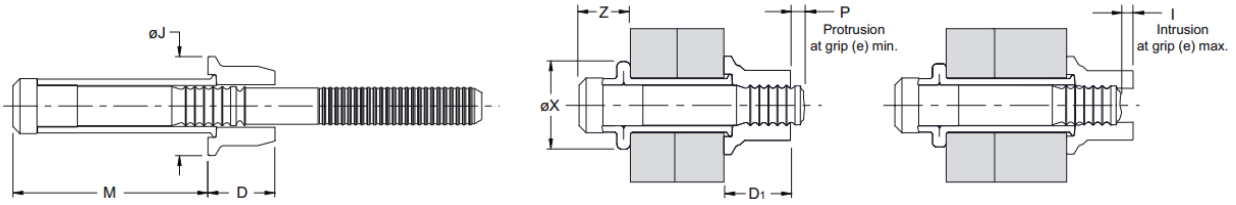
- Structural high strength, tamper resistant, blind fastener designed for use in heavy-duty structural applications
- Offers a high tensile and shear strength normally only possible with non blind lockbolts and combines it with the installation speed of blind products
- Wide grip capability suits a variety of material thicknesses
- Locking feature creates a vibration resistant joint and prevents loose stems
- Ideal for areas with restricted access
- High security tamper resistance - TIR approved
- Simple tooling requires only minimum operator skill

Material

- Stem: Chromium, molybdenum steel, black oxide
- Sleeve: Carbon steel, zinc plated, clear trivalent passivated
- Collar: Carbon steel, zinc plated, clear trivalent passivated



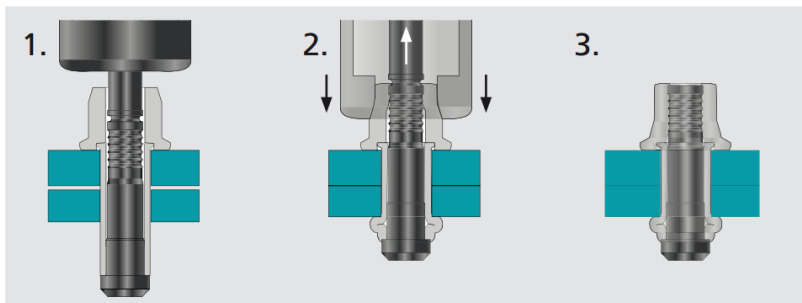
Part No.	Size ø	Grip Range			Hole Size		M	øJ	D	øX	Z	D ₁	P	I	Shear ⁽¹⁾ kN min.	Tension ⁽¹⁾ kN min.
		nom.	min.	max.	min.	max.										
21001-01204	10.0 (3/8")	4.78	7.95	10.49	11.05	25.10	18.77	12.65	15.49	9.58	14.50	4.36	1.72	45.00	32.25	
21001-01206		7.95	11.13			28.27										
21001-01207		9.54	12.72			30.02										
21001-01208		11.13	14.30			31.45										
21001-01210		14.30	17.48			34.62										
21001-01212		17.48	20.65			37.80										
21001-01214		20.65	23.83			40.97										
21001-01216		23.83	27.00			44.15										
21001-01218		27.00	30.18			47.32										
21001-01220		30.18	33.35			50.50										
21001-01604	12.7 (1/2")	6.38	9.55	13.87	14.76	31.82	24.31	15.01	20.62	13.11	16.10	4.36	1.57	90.00	57.00	
21001-01606		9.55	12.73			35.00										
21001-01608		12.73	15.90			38.18										
21001-01610		15.90	19.08			41.36										
21001-01612		19.08	22.25			44.53										



Part No.	Size ø	Grip Range			Hole Size		M	øJ	D	øX	Z	D ₁	P	I	Shear ⁽¹⁾ kN min.	Tension ⁽¹⁾ kN min.
		nom.	min.	max.	min.	max.										
21001-01614	12.7 (1/2")	22.25	25.43	13.87	14.76	47.70	24.31	15.01	20.62	13.11	16.10	4.36	1.57	90.00	57.00	
21001-01616		25.43	28.60			50.87										
21001-01618		28.60	31.78			54.02										
21001-01620		31.78	34.95			57.16										
21001-01622		34.95	38.13			60.27										
21001-01624		38.13	41.30			63.35										
21001-02004	16.0 (5/8")	6.35	12.70	17.45	18.49	39.35	29.46	17.45	25.4	16.01	20.07	7.93	1.98	129.00	91.19	
21001-02008		12.70	19.05			45.70										
21001-02012		19.05	25.40			52.05										
21001-02016		25.40	31.75			58.40										
21001-02020		31.75	38.10			64.75										

1) Strength values apply only where the joint thickness exceeds 150% of the joint hole diameter

Placing Sequence



Assembly Applications

- Automotive
- Truck and trailer
- Construction
- Container
- Renewable energies
- Railway
- Mining
- Security fencing

